

**ED Series****Exterior Door for Walls and Ceilings**

Elmdor® Exterior Access Doors are manufactured and engineered to provide access to exterior applications ensuring years of protection against outdoor elements. Our new technology helps to manifest resistance to water and vapor. Our Exterior Door includes foam insulation and neoprene gasket on four sides.

**Door** is fabricated from 16 gage, galvanized steel with a white prime coat finish and 1" thick rigid foam insulation.

**Frame** is fabricated from 16 gage, galvanized steel with a white prime coat finish and provided with bolt holes.

**Hinge** is concealed and operates completely out of sight, so that only the door and frame are visible.

**Exterior latch** is a cylinder lock that features a knurled knob or key operation.

**Finish** is a white prime coat suitable for painting.

**Guide Specification**

Provide Elmdor® ED Series, Exterior Access Doors (specify model number and options). Access door frame shall be fabricated from 16 gage galvanized steel with a white prime coat finish and provided with bolt holes. Access door panel shall be fabricated from 16 gage galvanized steel with a white prime coat finish. Door shall be filled with 1" thick, rigid foam insulation and neoprene gasket on four sides. Access door shall have a concealed hinge with exterior latching cylinder lock that features a knurled knob or key operation. Finish shall be a white prime coat suitable for painting.



**MODEL NUMBER AND OPTIONS SELECTION**

**BASE MODEL NUMBER**

ED Exterior Door for Walls and Ceilings

**Suffix Options**

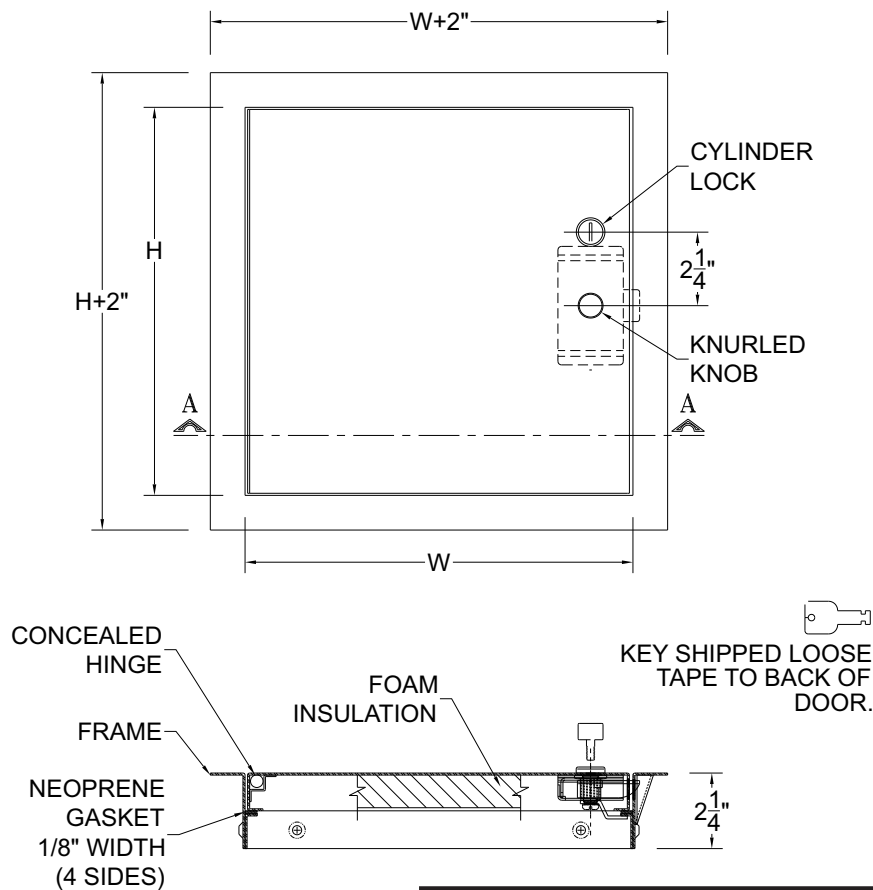
- GB Galvanized Drywall Bead
- SS Stainless Steel Construction (Type 304 No. 4 Satin Finish)

**STANDARD AVAILABLE SIZES**

Special sizes available upon request.

NOMINAL DOOR SIZE (W x H)	WALL OPENING	LOCK QTY	WEIGHT
ED 8" x 8"	8-3/8" x 8-3/8"	1	5 lbs.
ED 12" x 12"	12-3/8" x 12-3/8"	1	15 lbs.
ED 14" x 14"	14-3/8" x 14-3/8"	1	17 lbs.
ED 18" x 18"	18-3/8" x 18-3/8"	1	20 lbs.
ED 22" x 30"	22-3/8" x 30-3/8"	2	32 lbs.

NOMINAL DOOR SIZE (W x H)	WALL OPENING	LOCK QTY	WEIGHT
ED 24" x 24"	24-3/8" x 24-3/8"	1	28 lbs.
ED 24" x 36"	24-3/8" x 36-3/8"	2	40 lbs.
ED 30" x 30"	30-3/8" x 30-3/8"	2	38 lbs.
ED 36" x 36"	36-3/8" x 36-3/8"	2	50 lbs.
ED 36" x 48"	36-3/8" x 48-3/8"	2	81 lbs.



**WARNING:** Cancer and Reproductive Harm - [www.P65Warnings.ca.gov](http://www.P65Warnings.ca.gov)

Dimensions are subject to manufacturer's tolerance of plus or minus 1/4". Elmdor/Stoneman assumes no responsibility for use of void or suspended data. Please visit [www.elmdorstoneman.com](http://www.elmdorstoneman.com) for most current specifications. © Copyright 2009 Elmdor/Stoneman, City of Industry, CA, A Division of Acorn Engineering Company.

**SELECTION SUMMARY & APPROVAL FOR MANUFACTURING**

Model Number & Options _____	Quantity _____
Company _____	Date _____
Contact _____	Title _____
Approval for Manufacturing/Signature _____	

**ED**

Revised: 08/31/18