

AP Series



Acoustical Plaster Access Doors

Doors are designed to install flush with the plaster surface assuring an attractive finish. Doors are recessed 5/8" and lined with a metal lath to allow plaster of surrounding surfaces to fill in the face of the door.

Door and Frame are fabricated from 16 gage, galvanized steel with a white prime coat finish.

Frame has a 3" wide metal lath on all four sides to key into the plaster.

Concealed Hinge is recessed and operates completely out of sight so that only the metal thickness of the door and frame is visible.

Latch is screwdriver operated.

Finish is a white prime coat suitable for painting.

Guide Specification

Provide Elmdor® AP Series, Acoustical Plaster Access Doors (specify model number and options). Access door and frame shall be fabricated from 16 gage, galvanized steel with a white prime coat finish. The door shall be recessed 5/8" and be lined with metal lath. The frame shall have a 3" wide metal lath on all four sides. Hinge shall be concealed type. Latch shall be screwdriver operated. Finish shall be a white prime coat suitable for painting.



MODEL NUMBER AND OPTIONS SELECTION

BASE MODEL NUMBER

AP Acoustical Plaster Access Door

Suffix Options

- AKL Allen Key Latch
- CL Cylinder Lock (one per door)
- CLD Cylinder Lock with Dust Shutter (one per door)
- SS Stainless Steel Construction (Type 304 No. 4 Satin Finish)

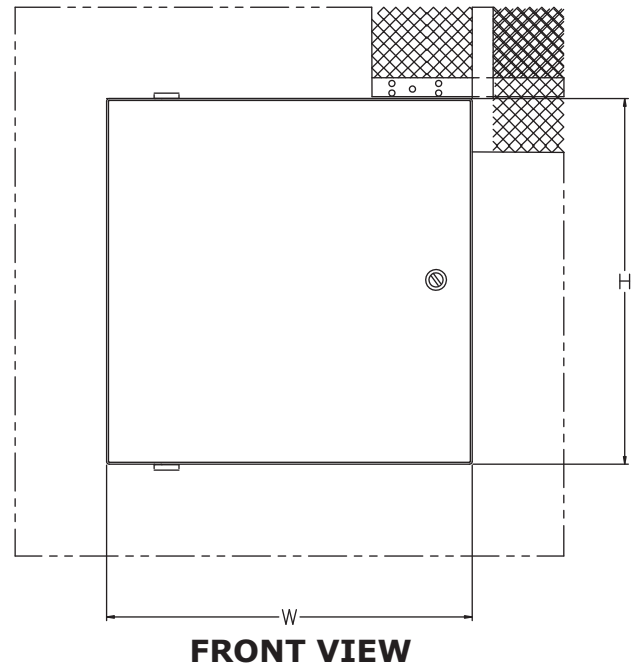
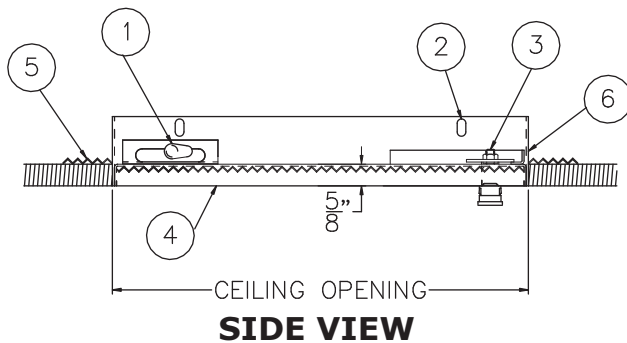
STANDARD AVAILABLE SIZES

Special sizes available upon request.

NOMINAL DOOR SIZE (W X H)	CEILING OPENING (minimum required)	LATCHES	WEIGHT
AP 12" x 12"	12-1/4" x 12-1/4"	1	7 lbs.
AP 12" x 24"	12-1/4" x 24-1/4"	2	13.5 lbs.
AP 18" x 18"	18-1/4" x 18-1/4"	2	14 lbs.
AP 24" x 24"	24-1/4" x 24-1/4"	4	20.5 lbs.
AP 24" x 36"	24-1/4" x 36-1/4"	5	24.5 lbs.

NOTES:

1. CONCEALED HINGE
2. MOUNTING HOLES
3. SCREWDRIVER OPERATED LATCH
4. DOOR
5. METAL LATH
6. FRAME



⚠ WARNING: Cancer and Reproductive Harm - www.P65Warnings.ca.gov

Dimensions are subject to manufacturer's tolerance of plus or minus 1/4". Elmdor/Stoneman assumes no responsibility for use of void or suspended data. Please visit www.elmdorstoneman.com for most current specifications. © Copyright 2009 Elmdor/Stoneman, City of Industry, CA, A Division of Acorn Engineering Company.

SELECTION SUMMARY & APPROVAL FOR MANUFACTURING

Model Number & Options _____	Quantity _____
Company _____	Date _____
Contact _____	Title _____
Approval for Manufacturing/Signature _____	

AP

Revised: 08/31/18