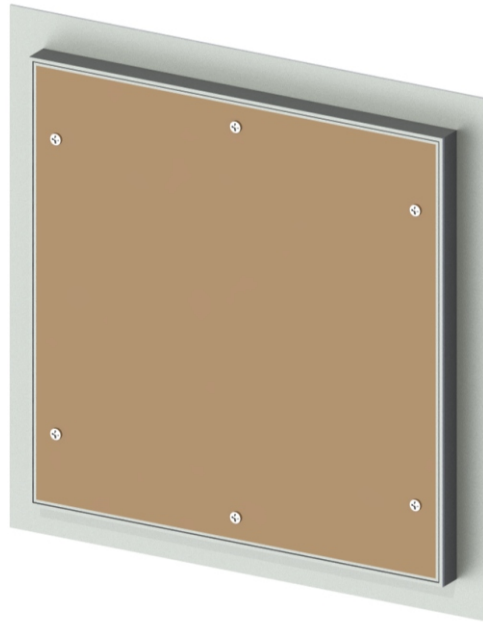


ADW Series



Recessed Dry Wall Aluminum Access Doors

Recessed Dry Wall Aluminum Access Doors are ideally suited for new installations or for remodeling, in walls and ceilings to accommodate 5/8" drywall, the frame can be reversed to accommodate 1/2" drywall while maintaining an invisible, architecturally pleasing appearance

Door and Frame are fabricated from .080 aluminum extrusion with 1/2" drywall inserted into door panel.

Frame is recessed to provide similar edge to drywall bead to allow for finishing of wall or ceiling surface.

Spring Loaded Hinge pin allows door panel to open to 90 degrees, and also allows for door panel to be removed from frame. Safety chain installed on door & frame for safety.

Latch is a concealed touch type.

Finish is a mill finish. Drywall is ready to be finished to match surrounding wall or ceiling surface.

Guide Specification

Provide Elmdor® ADW Series, Recessed Dry Wall Access Doors (Specify model number and options.) Access door and frame shall be fabricated from .080 aluminum extrusion with 1/2" drywall inserted into door panel with a mill finish. The door shall have a spring loaded hinge pin that allows door panel to open to 90 degrees, and also allows for door panel to be removed from frame. Latch is a concealed touch type. Finish shall be a mill finish and drywall is ready to be finished to match surrounding wall or ceiling surface.



MODEL NUMBER AND OPTIONS SELECTION

BASE MODEL NUMBER

ADW Dry Wall Aluminum Access Door

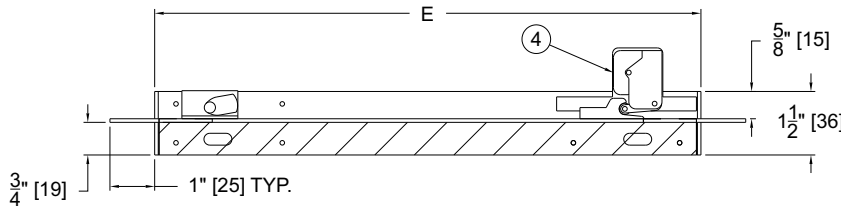
Suffix Options

- AKL Allen Key Latch
- CL Cylinder Lock (one per door)
- CLD Cylinder Lock with Dust Shutter (one per door)

STANDARD AVAILABLE SIZES

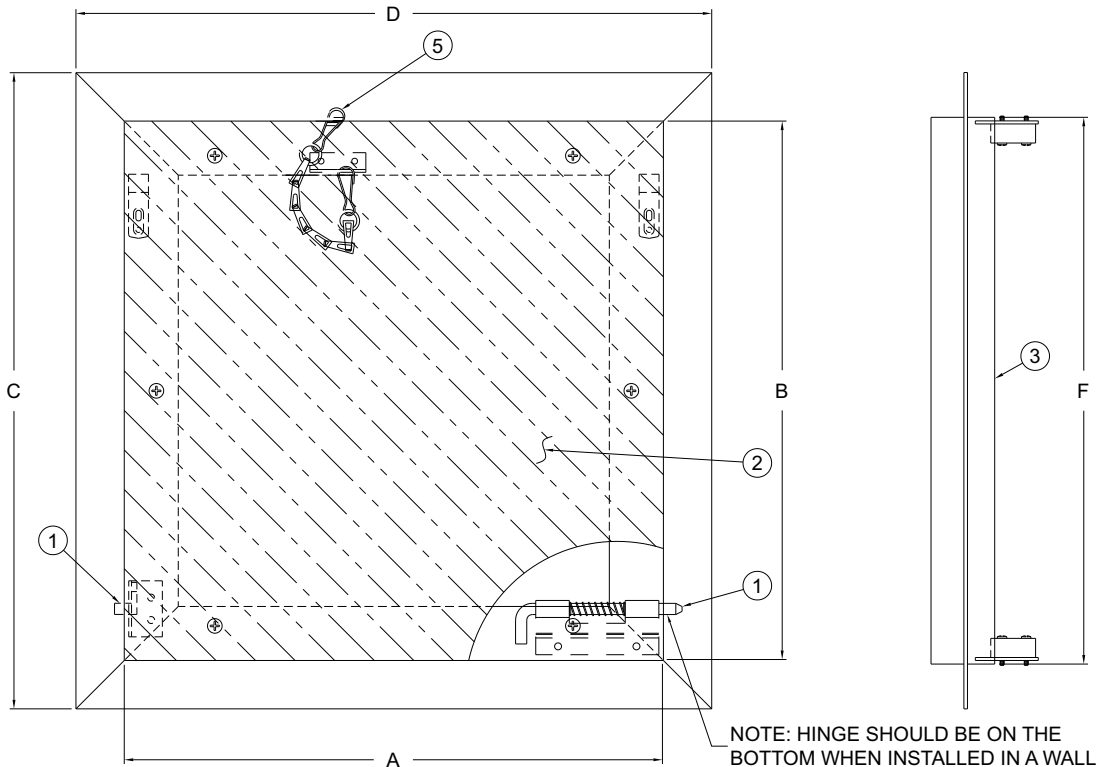
Special sizes available upon request.

NOMINAL SIZE	A	B	C	D	E	F	TOUCH LATCHES	ALLEN KEY LATCHES	WEIGHT
12" x 12" (305 x 305)	12.00" (305)	12.00" (305)	14.20" (360)	14.20" (360)	12.20" (310)	12.20" (310)	2	1	3.6 lbs.
16" x 16" (406 x 406)	16.00" (406)	16.00" (406)	18.20" (462)	18.20" (462)	16.20" (411)	16.20" (411)	2	1	5.5 lbs.
18" x 18" (457 x 457)	18.00" (457)	18.00" (457)	20.20" (513)	20.20" (513)	18.20" (460)	18.20" (460)	2	1	6.6 lbs.
24" x 24" (610 x 610)	24.00" (610)	24.00" (610)	26.20" (665)	26.20" (665)	24.20" (614)	24.20" (614)	2	1	10.4 lbs.
24" x 36" (610 x 914)	36.00" (914)	24.00" (610)	26.20" (665)	38.20" (665)	24.20" (610)	36.20" (919)	2	3	14.7 lbs.



NOTES:

1. CONCEALED HINGE
2. DOOR WITH DRYWALL INSERTED
3. FRAME
4. CONCEALED TOUCH LATCHES
5. SAFETY CHAIN (FOR OVER 12" X 12" ONLY)



WARNING: Cancer and Reproductive Harm - www.P65Warnings.ca.gov

Dimensions are subject to manufacturer's tolerance of plus or minus 1/4". Elmdor/Stoneman assumes no responsibility for use of void or suspended data. Please visit www.elmdorstoneman.com for most current specifications. © Copyright 2009 Elmdor/Stoneman, City of Industry, CA, A Division of Acorn Engineering Company.

SELECTION SUMMARY & APPROVAL FOR MANUFACTURING

Model Number & Options _____	Quantity _____
Company _____	Date _____
Contact _____	Title _____
Approval for Manufacturing/Signature _____	

ADW

Revised: 08/31/18