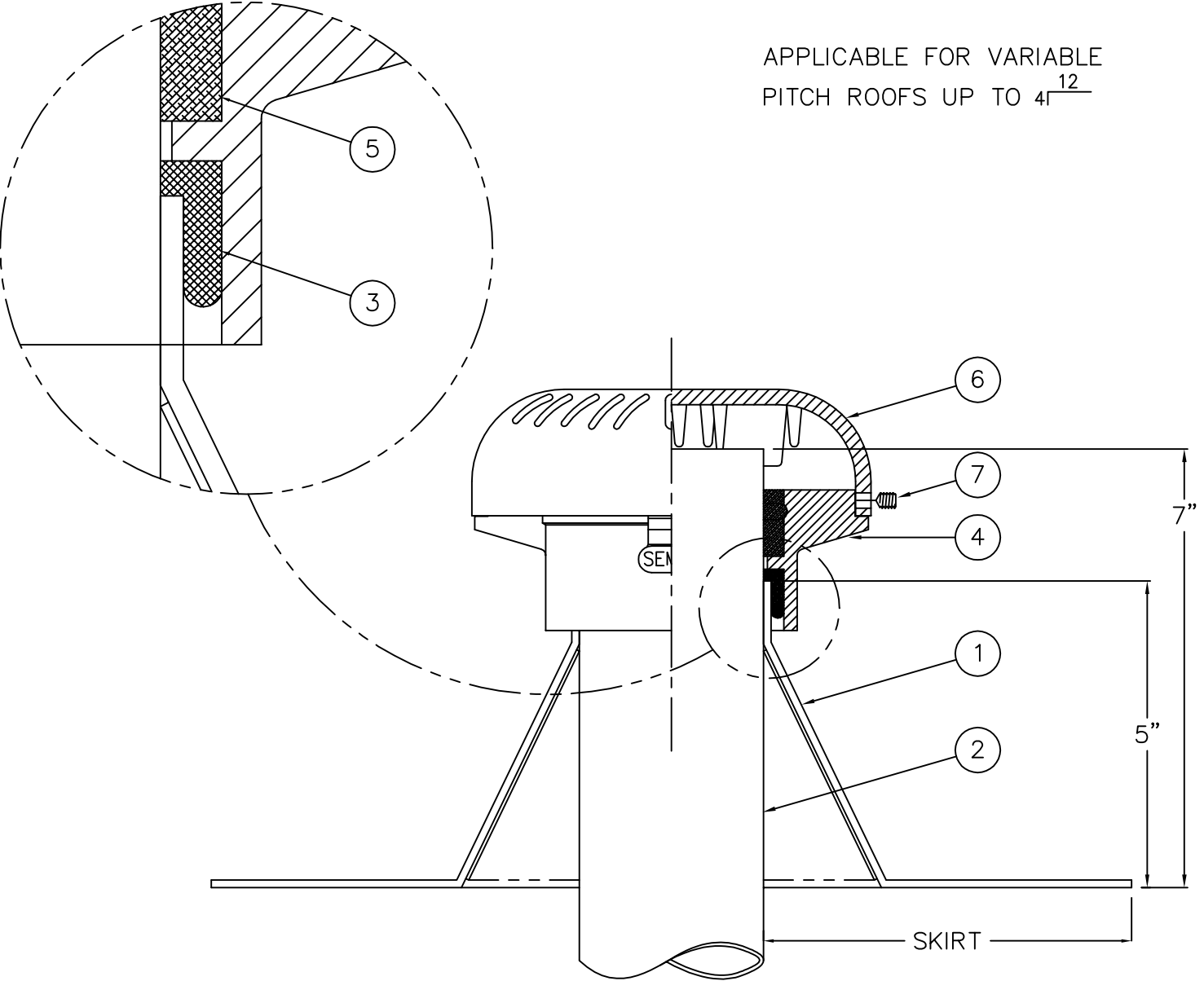




APPLICABLE FOR VARIABLE  
PITCH ROOFS UP TO 4 <sup>12</sup>/<sub>12</sub>



**INSTALLATION INSTRUCTIONS**

- A. PLACE LEAD FLASHING ① OVER ROOF PENETRATION ②.
- B. FOLLOW RECOMMENDATIONS FROM ROOFING MATERIAL MANUFACTURER FOR SEALING LEAD FLASHING TO ROOF.
- C. USING E/S SUFFIX OPTION -PS PERMASEAL ③ OR GE TYPE II SILICON RUBBER CAULK OR EQUAL, PLACE A STRIP OF PERMASEAL OR BEAD OF CAULK AROUND THE TOP OF THE LEAD FLASHING.
- D. PLACE CAST IRON COUNTERFLASHING ④ OVER ROOF PENETRATION AND DOWN ONTO THE SEALANT LEAVING A SPACE FOR EXPANSION AND CONTRACTION.
- E. FILL COUNTERFLASHING CAVITY WITH EPOXY ⑤ OR SEALANT. BY OTHERS.
- F. SECURE VANDAL FLASH HOOD ⑥ USING (2) 1/4-20x3/8" SET SCREWS ⑦ PROVIDED TO SECURE COUNTERFLASHING TO ROOF PENETRATION.

<b>ACORN ENGINEERING COMPANY</b> P.O. BOX 3527 INDUSTRY, CA. 91744 (626) 336-4561 FAX (626) 961-2200	TITLE <b>1100 SERIES FLASHING WITH VANDAL FLASH HOOD, SUFFIX -VFH</b>		
	MANUFACTURE DATE <b>SEPTEMBER 1996</b> <b>TO PRESENT</b>	DATE ISSUED <b>9/18/96</b>	DRAWING NUMBER <b>9928-015-001</b>
		DATE REVISED	